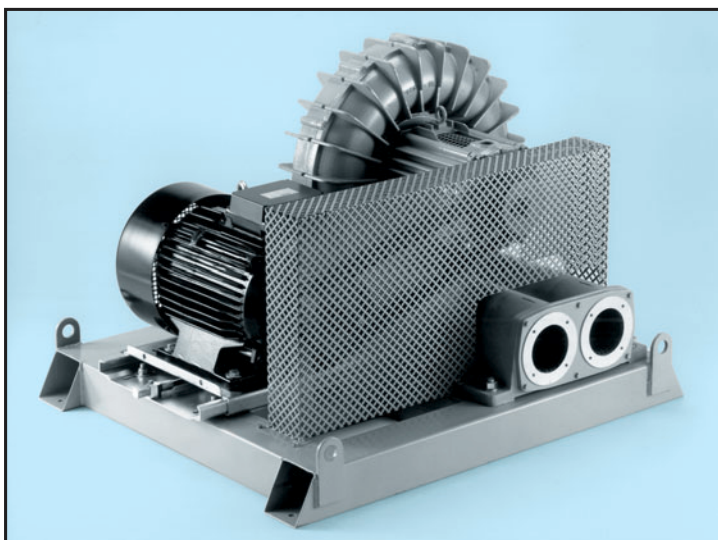


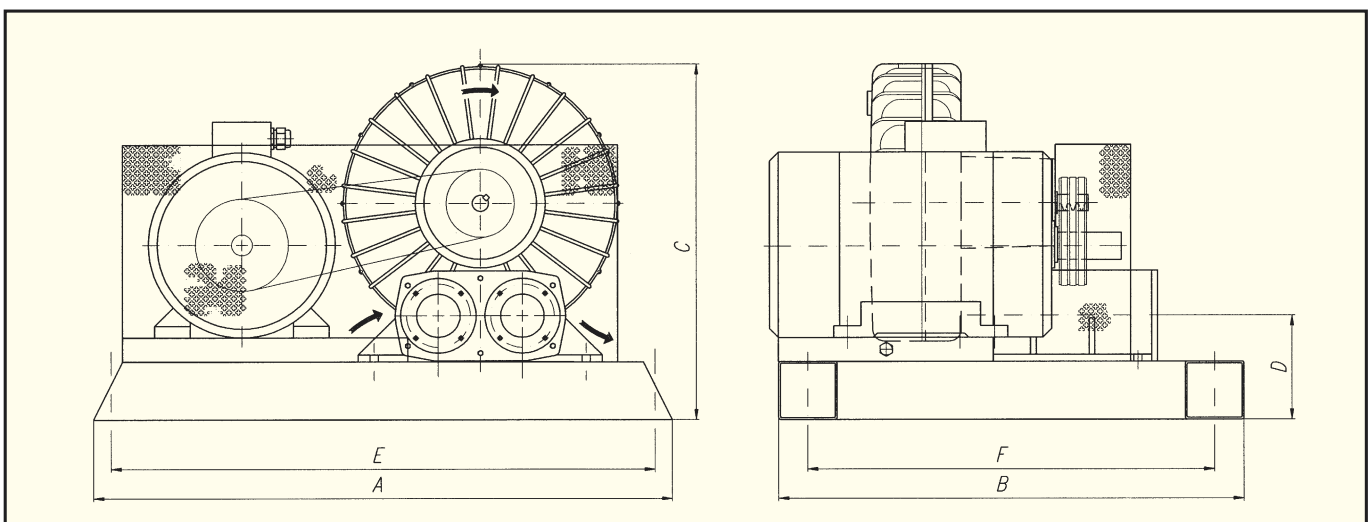
Technical specification

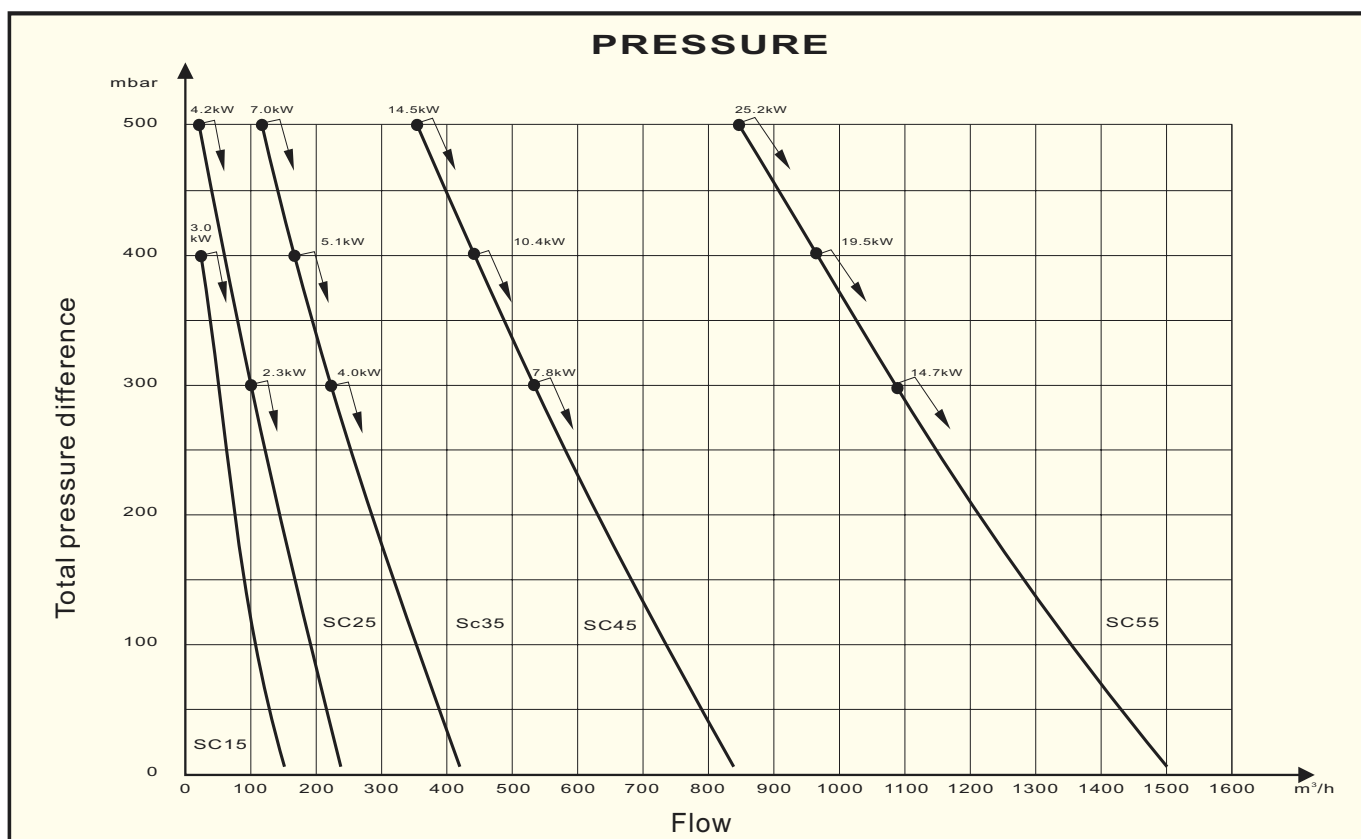
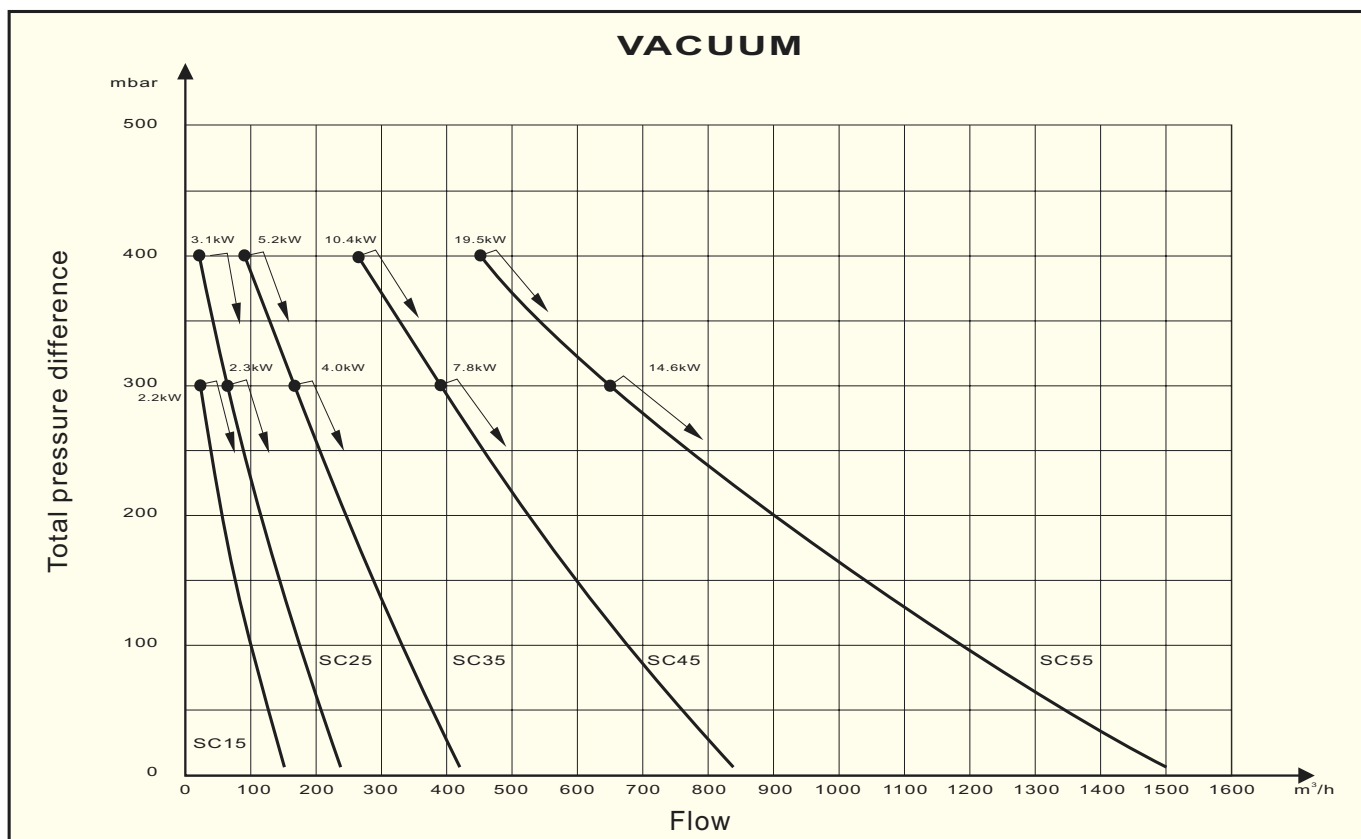
Type	Speed	Power consumption	Vacuum		Pressure		Weight*	Article number
			Flow (max)	Pressure (max)	Flow (max)	Pressure (max)		
	rpm	kW	m³/h	mbar	m³/h	mbar	kg	
SC15	4100	3.0	150	300	150	400	17	113 755 125
SC25	4100	4.2	250	400	250	500	21	113 755 185
SC35	4100	7.0	420	400	420	500	35	113 755 270
SC45	4100	14.5	850	400	850	500	64	113 755 330
SC55	4100	25.2	1500	400	1500	500	85	113 755 410

* bare unit

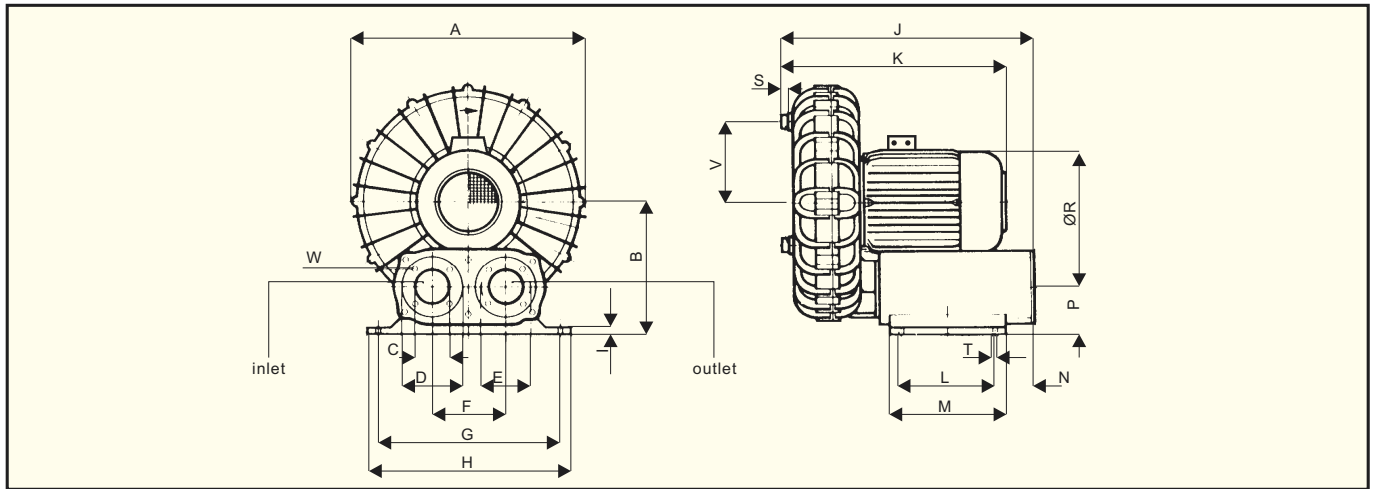


Type	A	B	C	D	E	F
SC15	700	450	330	70	660	410
SC25	700	450	390	70	660	410
SC35	760	530	483	140	700	490
SC45	995	800	612	180	935	740
SC55	1050	890	730	195	970	790



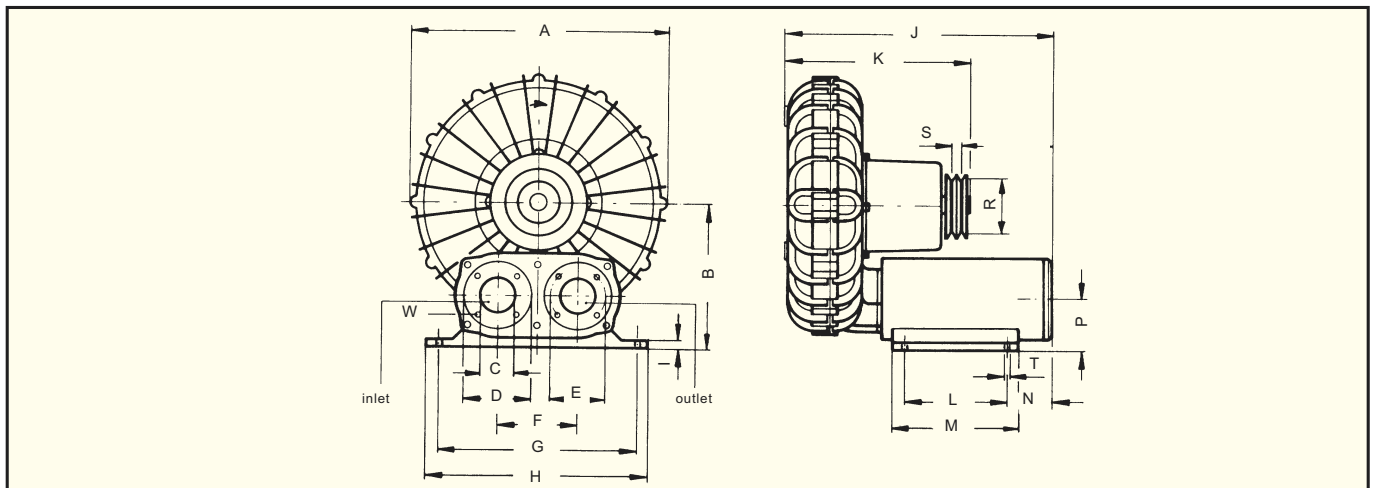


Direct drive



Type	A	B	C	D	E	F	G	H	I	J	K (max)	L	M	N	P	R	S	T	W	V
SC10	296	170	45	80	68	90	220	250	12	330	290	120	150	66	60	141	15	11	M5	117
SC20	360	200	45	80	68	90	220	250	12	360	348	120	150	66	60	157	15	11	M5	129.5
SC30	395	225	55	100	85	125	310	350	12	445	415	160	200	72	80	175	20	13	M6	140
SC40	480	275	75	130	110	145	365	420	12	530	510	260	300	34	80	230	30	14	M8	172
SC50	580	336	100	150	130	160	400	450	25	690	650	370	430	50	95	258	30	20	M8	202

Bare unit



Type	A	B	C	D	E	F	G	H	I	J	K	L	M	N	P	R	S	T	W
SC15	296	170	45	80	68	90	220	250	12	315	215	120	150	66	60	75	12	11	M5
SC25	360	200	45	80	68	90	220	250	12	345	260	120	150	66	60	100	12	11	M5
SC35	395	225	55	100	85	125	310	350	12	425	300	160	200	72	80	100	12	13	M6
SC45	480	275	75	130	110	145	365	420	12	480	380	260	300	34	80	160	12	14	M8
SC55	580	336	100	150	130	160	400	450	20	620	490	370	430	58	95	160	12	20	M8