



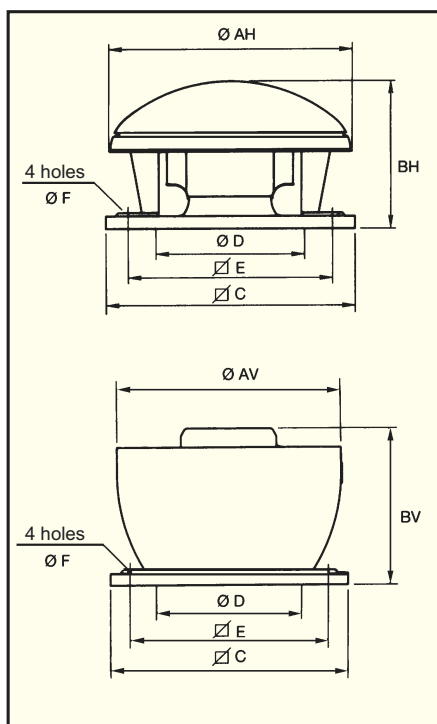
Construction

Roof fan for horizontal (CTHB-CTHT) or vertical (CTVB-CTVT) installation designed for continuous running in high temperatures:

- type CTVB/4-180 and CTVB/4-200 -40° to +200°C
- type CTHB/4-180 and CTHB/4-200 -40° to +150°C
- other models -40° to +120°C

Backward curved impellers manufactured in galvanized steel sheet. Base manufactured from galvanized steel sheet. Spun aluminium cowls.

The fans are approved by CTICM FRANCE approval no. 95E284, 93E008, 93E082 and 93E279 for 400°C/2h.



Motor

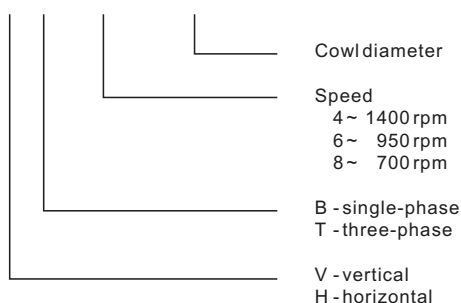
400V, 50Hz three-phase alt. 230V, 50Hz single-phase asynchronous induction motor. Enclosure IP55, insulation class F. Three-phase designs from sizes 140 to 400 are suitable for speed control. Motors for special voltage, three-phase motors for "Y" resp. "Δ" running and 2-speed motors may be supplied on request. Wiring diagram, see page 179.

Accessories

Roof fittings, roof inlets, variable speed controls.

Model numbering system

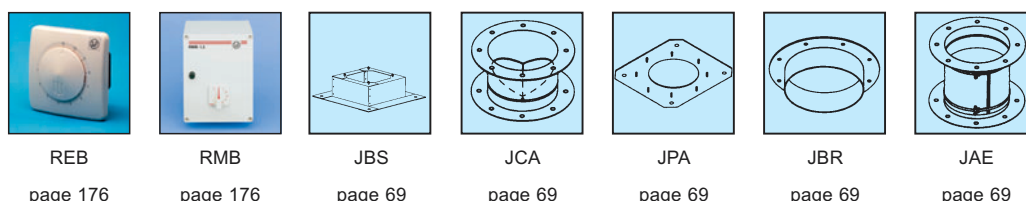
CT V B / 4 - 140



Dimensions in mm

Type	ØAH	ØAV	BH	BV	□C	ØD	□E	ØF
140	415	421	277	359	300	180	245	10
180	415	421	292	374	300	180	245	10
200	561	556	340	404	435	250	330	12
225	561	556	383	452	435	250	330	12
250	762	750	425	522	560	355	450	12
315	762	750	469	564	560	355	450	12
400	850	850	532	608	630	400	535	12
450	962	950	713	741	710	500	590	14
500	1214	1216	824	832	905	630	750	14
560	1214	1216	874	832	905	630	750	14
630	1336	1327	1029	1053	1100	710	840	14

Accessories



Technical specification

	Type	Speed	Maximum power absorbed	Maximum current	Maximum duty	Sound level		Weight	Article number	
		rpm	W	A	m³/h	dB(A)				
						Qmax*	2/3Qmax*			kg
SINGLE-PHASE 230V	4 - POLE, SINGLE-PHASE 230V									
	CTVB/4-140	1375	60	0.32	750	65.5	61.0	10.0	112700501	
	CTVB/4-180	1330	70	0.33	900	65.5	61.0	10.5	112700511	
	CTVB/4-200	1330	100	0.60	1350	69.0	64.0	17.0	112700521	
	CTVB/4-225	1350	130	0.71	2000	72.5	68.0	19.8	112700531	
	CTVB/4-250	1325	280	1.20	2950	76.0	71.5	35.0	112700541	
	CTVB/4-315	1390	570	2.70	4700	79.5	75.0	39.0	112700551	
	CTVB/4-400	1390	1100	5.30	6800	86.5	82.0	50.0	112700561	
	6 - POLE, SINGLE-PHASE 230V									
	CTVB/6-200	940	80	0.40	900	58.5	53.0	17.0	112700601	
	CTVB/6-225	890	90	0.40	1300	62.0	56.5	19.8	112700611	
	CTVB/6-250	940	100	0.57	1850	66.0	60.5	35.0	112700621	
	CTVB/6-315	870	160	0.80	3000	69.5	64.0	39.0	112700631	
	CTVB/6-400	960	340	1.60	4300	76.5	71.0	50.0	112700641	
THREE-PHASE 400V	4 - POLE, THREE-PHASE 400V									
	CTVT/4-140	1400	60	0.17	750	65.5	61.0	10.0	112700701	
	CTVT/4-180	1350	60	0.17	900	65.5	61.0	10.5	112700711	
	CTVT/4-200	1340	130	0.44	1350	69.0	64.0	17.0	112700721	
	CTVT/4-225	1360	180	0.47	2000	72.5	68.0	19.8	112700731	
	CTVT/4-250	1400	300	0.78	2950	76.0	71.5	35.0	112700741	
	CTVT/4-315	1410	400	1.47	4700	79.5	75.0	39.0	112700751	
	CTVT/4-400	1330	1000	1.80	6800	86.5	82.0	50.0	112700761	
	CTVT/4-450	1440	2100	4.20	10000	90.0	85.5	75.0	112700771	
	6 - POLE, THREE-PHASE 400V									
	CTVT/6-200	950	80	0.24	900	58.5	53.0	17.0	112700801	
	CTVT/6-225	900	90	0.23	1300	62.0	56.5	19.8	112700811	
	CTVT/6-250	950	100	0.41	1850	66.0	60.5	35.0	112700821	
	CTVT/6-315	910	180	0.44	3000	69.5	64.0	39.0	112700831	
	CTVT/6-400	930	350	1.00	4300	76.5	71.0	50.0	112700841	
	CTVT/6-450	950	850	3.50	6300	79.5	74.5	75.0	112700851	
	CTVT/6-500	975	1300	4.30	10000	83.5	78.0	115.0	112700861	
	CTVT/6-560	950	2400	5.50	15000	87.0	81.5	129.0	112700871	
	CTVT/6-630	950	3700	8.30	20500	90.5	85.0	168.0	112700881	
	8 - POLE, THREE-PHASE 400V									
	CTVT/8-450	690	700	2.25	4800	72.0	65.5	75.0	112700900	
	CTVT/8-500	700	770	2.50	7100	75.0	70.0	115.0	112700901	
	CTVT/8-560	730	1100	3.60	10000	78.5	73.5	129.0	112700911	
	CTVT/8-630	735	1650	4.90	13500	82.5	77.0	168.0	112700921	
SINGLE-PHASE 230V	4 - POLE, SINGLE-PHASE 230V									
	CTHB/4-140	1370	60	0.32	800	68.0	63.0	7.5	112700001	
	CTHB/4-180	1330	70	0.33	990	68.0	63.0	8.0	112700011	
	CTHB/4-200	1320	120	0.60	1450	71.5	66.5	14.2	112700021	
	CTHB/4-225	1350	170	0.90	2100	75.0	70.0	17.0	112700031	
	CTHB/4-250	1320	280	1.40	3100	78.5	74.0	28.0	112700041	
	CTHB/4-315	1375	590	2.70	4900	82.5	77.5	32.0	112700051	
	CTHB/4-400	1380	1100	5.30	7000	89.0	84.0	42.5	112700061	
	6 - POLE, SINGLE-PHASE 230V									
	CTHB/6-200	940	80	0.40	970	61.5	56.0	14.2	112700101	
	CTHB/6-225	890	90	0.40	1400	65.0	59.5	17.0	112700111	
	CTHB/6-250	940	100	0.57	2000	68.5	63.0	28.0	112700121	
	CTHB/6-315	840	170	0.81	3200	72.5	67.0	32.0	112700131	
	CTHB/6-400	950	350	1.60	4500	79.0	73.5	42.5	112700141	
THREE-PHASE 400V	4 - POLE, THREE-PHASE 400V									
	CTHT/4-140	1375	60	0.17	800	68.0	63.0	7.5	112700201	
	CTHT/4-180	1350	70	0.17	990	68.0	63.0	8.0	112700211	
	CTHT/4-200	1340	130	0.35	1450	71.5	66.5	14.2	112700221	
	CTHT/4-225	1360	170	0.50	2100	75.0	70.0	17.0	112700231	
	CTHT/4-250	1400	300	0.80	3100	78.5	74.0	28.0	112700241	
	CTHT/4-315	1410	620	1.50	4900	82.5	77.5	32.0	112700251	
	CTHT/4-400	1350	920	1.80	7000	89.0	84.0	42.5	112700261	
	CTHT/4-450	1440	2000	4.60	10200	92.5	87.5	67.0	112700271	
	6 - POLE, THREE-PHASE 400V									
	CTHT/6-200	950	80	0.24	970	61.5	56.0	14.2	112700301	
	CTHT/6-225	900	90	0.23	1400	65.0	59.5	17.0	112700311	
	CTHT/6-250	950	100	0.41	2000	68.5	63.0	28.0	112700321	
	CTHT/6-315	900	180	0.50	3200	72.5	67.0	32.0	112700331	
	CTHT/6-400	925	350	1.00	4500	79.0	73.5	42.5	112700341	
	CTHT/6-450	940	850	3.50	6900	82.5	77.0	67.0	112700351	
	CTHT/6-500	965	1400	4.30	10500	86.0	80.5	104.0	112700361	
	CTHT/6-560	955	2400	5.30	16000	89.5	84.5	118.0	112700371	
	CTHT/6-630	950	3700	8.30	21000	93.5	88.0	156.0	112700381	
	8 - POLE, THREE-PHASE 400V									
	CTHT/8-450	700	700	2.10	5000	75.0	69.0	67.0	112700400	
	CTHT/8-500	725	770	2.40	7500	78.5	73.0	104.0	112700401	
	CTHT/8-560	730	1100	3.60	11500	82.0	76.5	118.0	112700411	
	CTHT/8-630	735	1650	4.90	15000	85.5	80.5	156.0	112700421	

* Qmax = maximum duty

