



Construction

Single inlet centrifugal fan. Two radial bladed impellers riveted of steel sheet with a turned mild steel hub, fitted to the motor shaft. Twin casing in steel plate of welded construction adequately stiffened to prevent drumming and vibration. Access to the impeller is given by removing the bolted cover of the casing inlet side. Designed for transportation of normal air with max. temperature of +80°C. Designs for corrosive gases, higher running temperatures, etc. can be supplied on request.

Motor

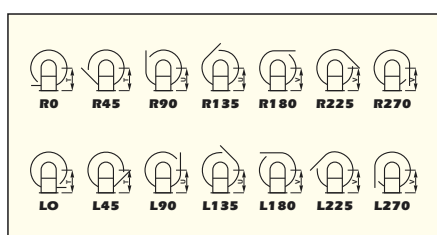
230/400V, 50Hz (400/690V, 50Hz) three-phase asynchronous motor, suitable for speed control with frequency control. Insulation class F, enclosure IP55. Special voltage or frequency, improved enclosure IP65, 2-speed motors and explosion proof motors can be supplied on request.

Wiring diagram, see page 179.

Working area: pressure up to 35000 Pa
flow up to 3400 m³/h.

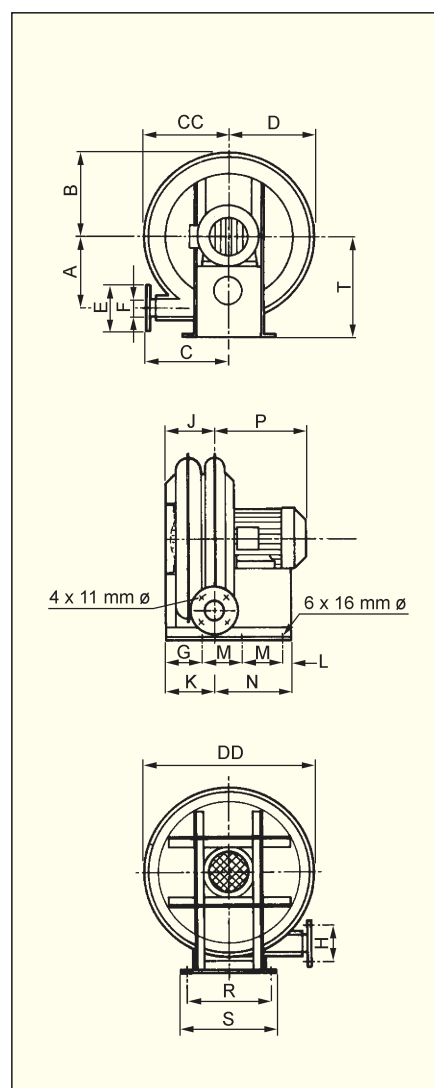
Accessories

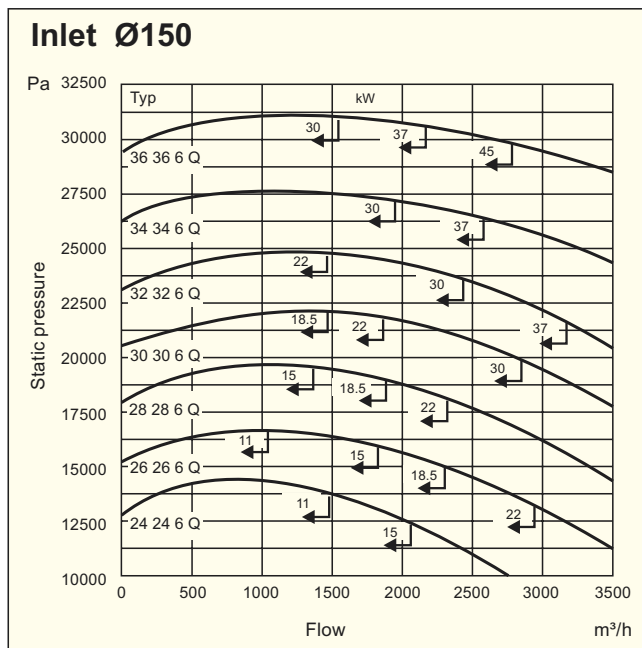
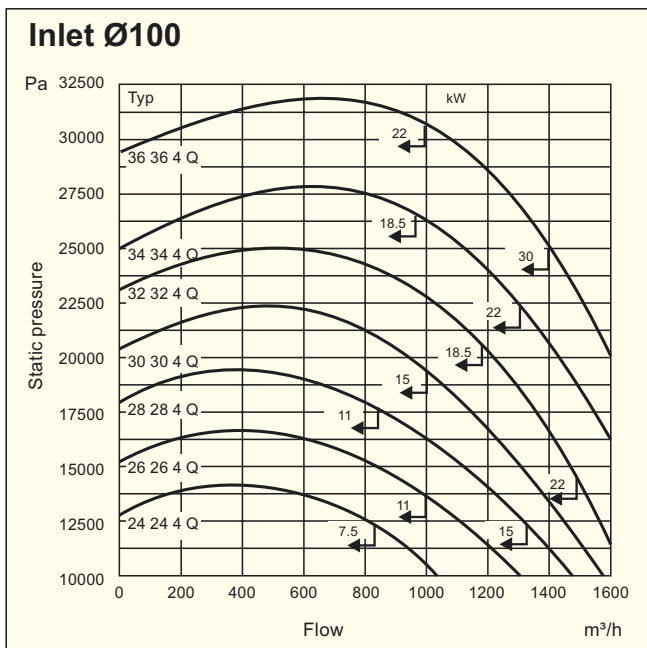
Inlet flanges, inlet filter, silencer.



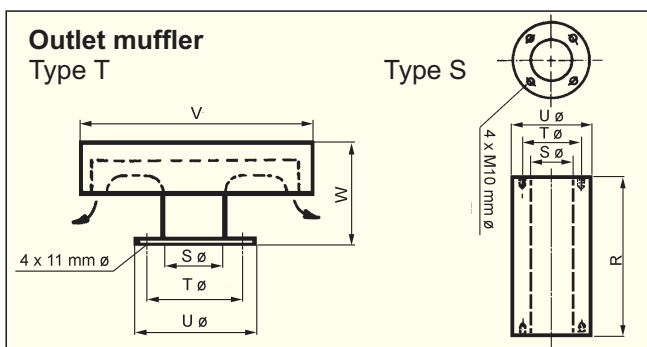
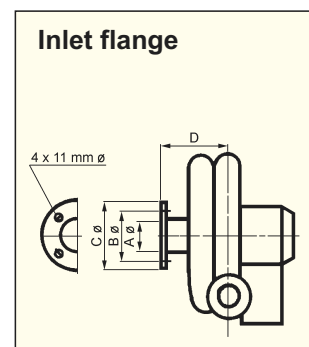
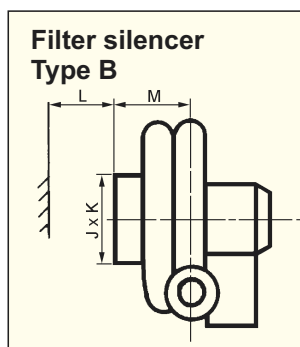
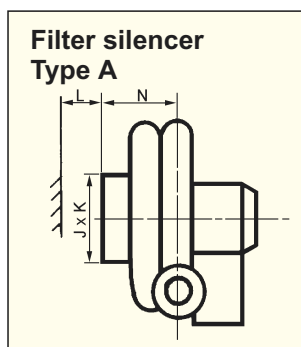
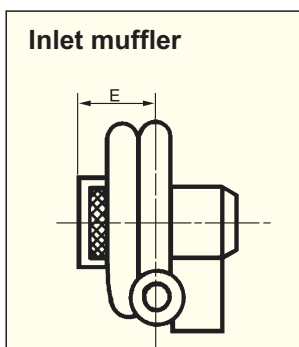
Dimensions in mm

Type	A	B	C	CC	D	DD	E	F	G	H	J	K	L	Motor kW	M	N	P	R	S	T	Weight kg
24 24 4Q	378	397	360	376	418	880	197	100	32	152	235	100	32	7.5	200	341	430	362	406	489	132
														11.0	251	443	563	426	470	489	174
26 26 4Q	403	422	386	401	443	880	197	100	32	152	235	100	32	7.5	200	341	430	362	406	527	149
														11&15	251	443	563	426	470	527	191
28 28 4Q	429	447	410	426	469	880	197	100	32	152	235	100	32	11&15	251	443	563	426	470	552	207
														18.5	271	483	608	426	470	552	226
30 30 4Q	454	472	436	451	494	880	197	100	32	152	235	100	32	15.0	251	443	563	426	470	578	227
														18.5	271	483	608	426	470	578	246
24 24 6Q	387	406	365	381	432	880	255	150	32	216	282	111	32	11&15	251	455	572	425	470	527	207
														18.5	271	495	614	425	470	527	226
26 26 6Q	413	432	390	406	457	880	255	150	32	216	282	111	32	15.0	251	455	572	425	470	552	217
														18.5	271	495	614	425	470	552	236
28 28 6Q	438	457	416	432	482	880	255	150	32	216	282	111	32	22.0	271	495	630	489	534	552	263
														18.5	271	495	614	425	470	578	256
30 30 6Q	464	483	441	457	508	880	255	150	32	216	282	111	32	22.0	271	495	630	489	534	603	281
														30&37	307	567	710	489	534	603	370
32 32 4Q	480	482	461	461	504	930	197	100	32	152	235	100	32	15.0	240	444	563	426	470	603	253
														18.5	261	486	608	426	470	603	272
34 34 4Q	505	508	487	487	529	980	197	100	32	152	235	100	32	22.0	261	486	630	489	534	629	272
														30.0	296	556	700	489	534	629	395
36 36 4Q	530	531	513	513	554	1031	197	100	32	152	235	100	32	18.5	261	486	608	426	470	653	351
														22.0	261	486	630	489	534	653	378
32 32 6Q	489	492	466	466	517	930	255	150	32	216	282	111	32	22.0	271	495	630	489	534	629	343
														30&37	307	567	710	489	534	629	405
34 34 6Q	514	517	491	491	542	980	255	150	32	216	282	111	32	22.0	271	495	630	489	534	653	383
														45.0	323	599	760	540	585	653	553
36 36 6Q	540	543	517	517	568	1031	255	150	32	216	282	111	32	30&37	307	567	710	489	534	679	501
														45.0	323	599	760	540	585	679	609
														55.0	353	659	800	590	635	679	770





Accessories



Motor muffler

Motor kW	P	Q
5.5 7.5	230	75
11 – 18.5	260	100
22	280	100
30 37	300	100
45	325	100

Dimensions in mm

Type	A	B	C	D	E	J	K	L	M	N	R	S	T	U	V	W
61 61 10 – 36 36 4	216	273	318	340	351	510	510	150	455	360	500	100	152	200	610	195
61 61 15 – 36 36 6	216	273	318	340	406	510	510	150	565	440	750	150	216	260	610	295