



### Construction

Single inlet direct driven centrifugal fan with spiral formed casing of stainless acid proof steel. Impeller with forward curved blades of stainless acid proof steel. Temperature barrier allows max. temperature of 180°C.

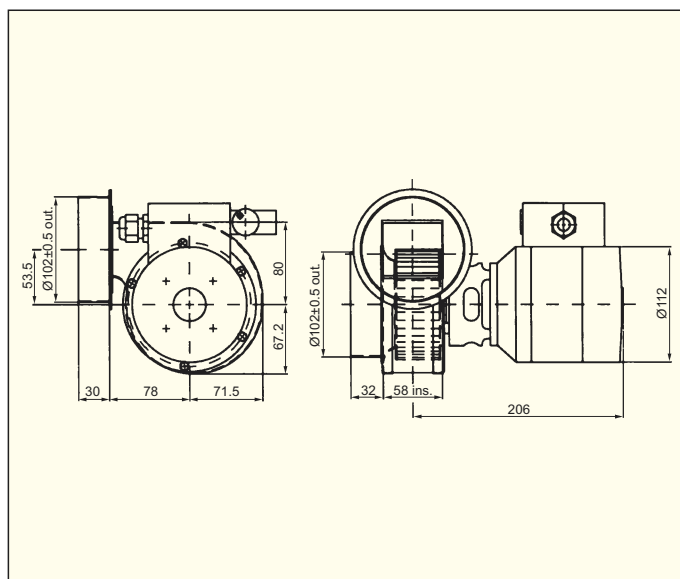
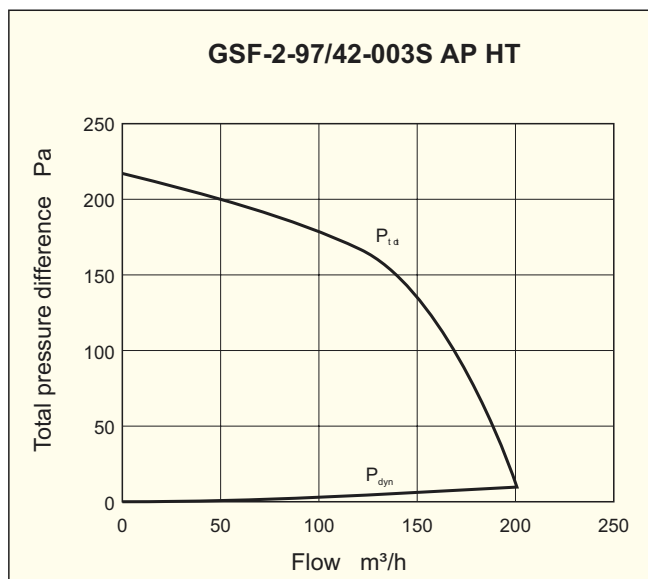
### Motor

220-240/380-420V, 50Hz (380-420/660-690V over 3kW) three-phase asynchronous motor or 220-240V, 50Hz single-phase asynchronous motor with capacitor, in accordance with IEC72 and IEC43-1. Insulation class F, enclosure IP55. Special voltage or frequency, improved enclosure IP65 and explosion proof motor may be supplied on request.

Wiring diagram, see page 179.

### Technical specification

| Type                    | Motor power kW | Voltage V | Maximum current A | Maximum duty m <sup>3</sup> /h | Pressure (max) Pa | Weight kg | Article number |
|-------------------------|----------------|-----------|-------------------|--------------------------------|-------------------|-----------|----------------|
| GSF-2- 97/42-003S AP HT | 0,03           | 230       | 0,40              | 190                            | 220               | 7         | 113 340 880    |
| GSF-2-120/52-008S AP HT | 0,08           | 230       | 0,75              | 530                            | 360               | 8         | 113 340 920    |
| GSF-2-160/62-018S AP HT | 0,18           | 230       | 1,50              | 860                            | 680               | 9         | 113 500 040    |
| GSF-2-180/62-055T AP HT | 0,55           | 400       | 1,35              | 1280                           | 1050              | 9,8       | 113 500 050    |



### Accessories



Mounting base

