



**Construction**

Double inlet radial fan. Impellers with forward curved blades in galvanized steel sheet.

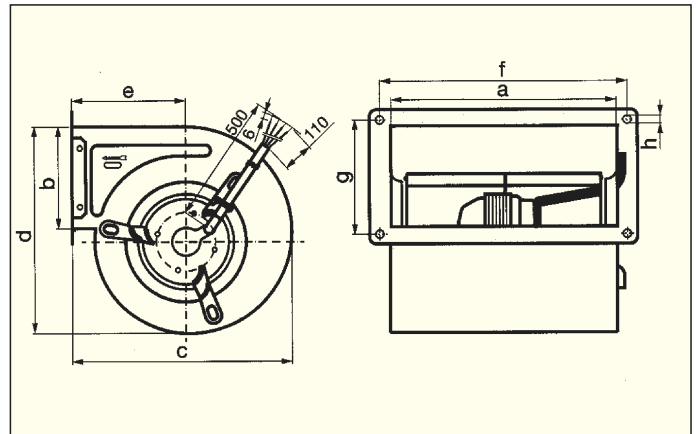
**Motor**

220–240V, 50Hz single-phase external rotor motor with capacitor, suitable for variable speed control. Enclosure IP44, insulation class B. Special voltage or frequency, insulation class and enclosure, may be supplied on request. Wiring diagram, see page 180.

Dimensions in mm



Type	a	b	c	d	e	f	g	h
DEM-RF-2C-133/190	217	70	171	180	88	254	126	5,5
DEM-RF-2C-146/180	220	100	200	205	100	254	126	5,5
DEM-RF-4C-133/190	220	100	200	205	100	254	126	5,5
DEM-RF-4C-146/180	220	100	200	205	100	254	126	5,5
DEM-RF-4C-180/184	225	120	265	260	145	287	126	7



**Technical specification**

Type	Speed rpm	Capacitor μF	Motor power W	Maximum current A	Maximum duty m³/h	Sound level* dB (A)	Maximum tempera- ture °C	Weight kg	Article number
DEM-RF-2C-133/190	1750	5,0	185	0,82	685	58	45	3,52	119 001 013
DEM-RF-2C-146/180	1450	5,0	220	0,95	875	57	35	4,12	119 001 023
DEM-RF-4C-133/190	1300	2,5	80	0,40	770	56	75	3,20	119 002 011
DEM-RF-4C-146/180	1260	3,0	108	0,46	825	56	70	3,25	119 002 025
DEM-RF-4C-180/184	1250	5,0	200	0,90	1250	60	60	5,00	119 002 031

\* distance 1m

