

### Construction

In-line fan designed for installation in circular ducting from Ø200 to Ø710 mm. Insulated casing in galvanized steel sheet. Impeller in galvanized steel sheet with backward curved blades. Dynamic balanced according to ISO 1940.

### Motor

220–240V, 50Hz single-phase asynchronous motor, thermal protection with terminals of the thermal trip are brought out to the terminal box. Enclosure IP55 according to UNE 20–11 and IEC 34–5 (waterproof, dustproof design), insulation class F for environmental temperature +70°C. The motor is designed according to IEC 34–1 and dynamic balanced according to ISO 1940. Speed controllable by variation of the supply voltage by means of transformer or electrical regulator. Special voltage or frequency, improved enclosure and three-phase motors for "Y" resp. "Δ" – running can be supplied on request.

Wiring diagram, see page 179.

### Accessories

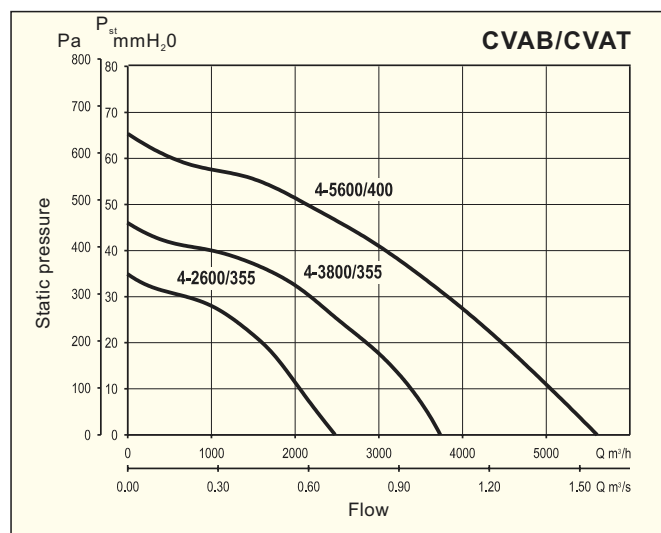
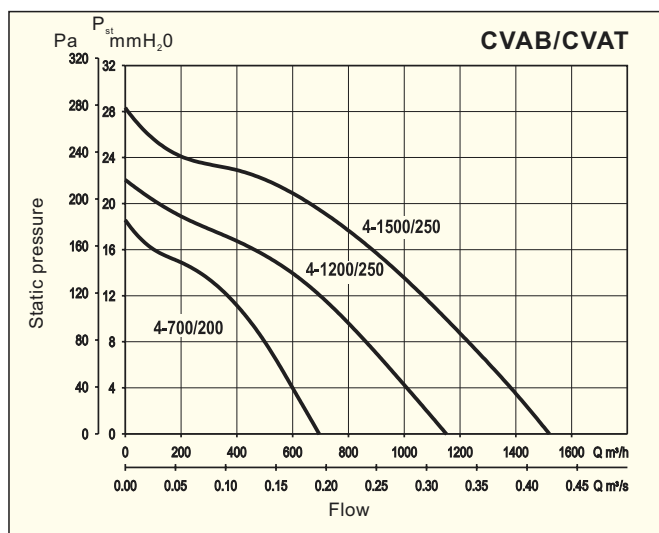
Variable speed controls REB and RMB.

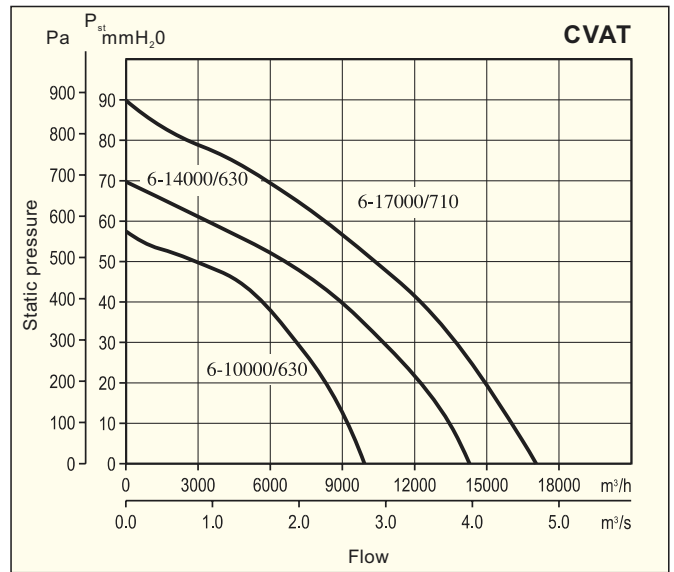
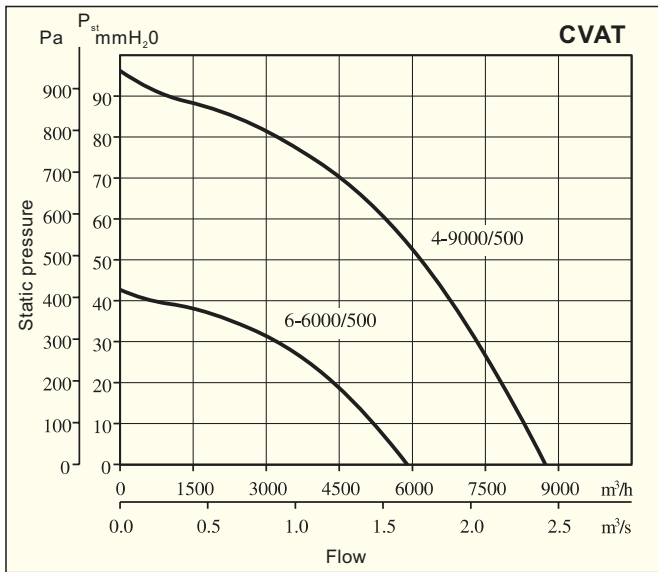


### Technical specification

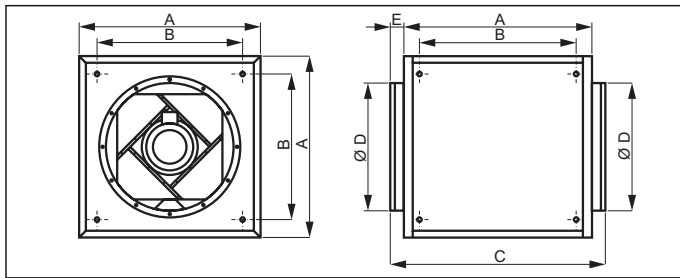
Type	Speed rpm	Motor power W	Maximum current		Maximum duty m <sup>3</sup> /h	Sound level* dB (A)			Weight kg	Article number
			230V	400V		Outlet	Inlet	Radiated		
<b>SINGLE-PHASE</b>										
CVAB/4-700/200	1375	62	0,30	-	690	46	44	32	26	112 208 415
CVAB/4-1200/250	1340	115	0,57	-	1150	51	47	35	30	112 208 418
CVAB/4-1500/250	1380	160	0,72	-	1520	54	52	42	38	112 208 421
CVAB/4-2600/355	1350	275	1,20	-	2600	60	55	42	46	112 208 425
CVAB/4-3800/355	1380	570	2,60	-	3750	63	60	48	62	112 208 428
CVAB/4-5600/400	1380	1100	5,30	-	5600	70	66	52	94	112 208 431
<b>THREE-PHASE</b>										
CVAT/4-700/200	1375	62	-	0,17	690	46	44	32	26	112 208 435
CVAT/4-1200/250	1340	115	-	0,35	1150	51	47	35	30	112 208 438
CVAT/4-1500/250	1380	160	-	0,50	1520	54	52	42	38	112 208 441
CVAT/4-2600/355	1350	275	-	0,80	2600	60	55	42	46	112 208 445
CVAT/4-3800/355	1380	570	-	1,50	3750	63	60	48	62	112 208 448
CVAT/4-5600/400	1380	1100	-	1,80	5600	70	66	52	94	112 208 451
CVAT/4-9000/500	1475	2050	-	4,80	8800	76	75	60	105	112 208 455
CVAT/6-6000/500	960	900	-	3,30	5700	67	65	53	105	112 208 458
CVAT/6-10000/630	975	1500	-	3,90	10000	69	69	53	120	112 208 461
CVAT/6-14000/630	965	2500	-	5,40	14000	74	73	58	160	112 208 465
CVAT/6-17000/710	965	3900	-	6,90	17100	78	76	60	220	112 208 468

\* distance 1.5m

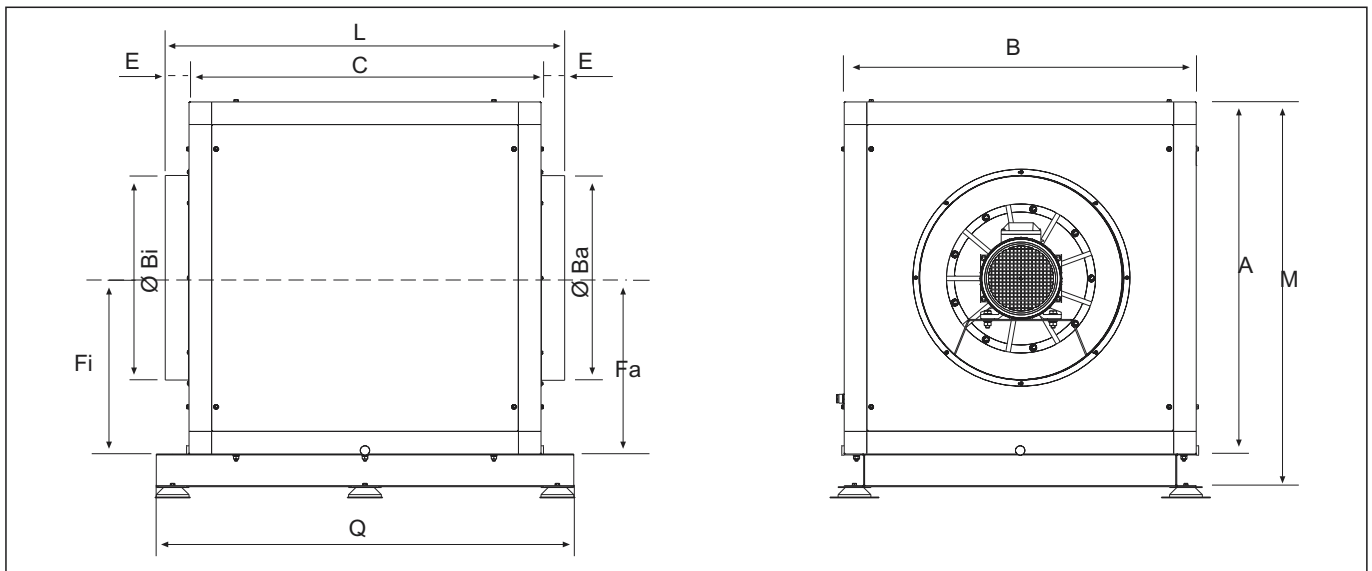




Dimensions in mm



Type	A	B	C	ØD	E
CVA□/4-700/200	400	270	530	200	65
CVA□/4-1200/250	450	320	580	250	65
CVA□/4-1500/250	500	370	630	250	65
CVA□/4-2600/355	550	390	680	355	65
CVA□/4-3800/355	650	490	780	355	65
CVA□/4-5600/400	800	640	930	400	65



Type	A	B	C	E	L	M	Q	ØBi	ØBa	Fi	Fa
CVAT/4-9000/500	860	860	860	55	970	940	1020	500	500	430.0	430.0
CVAT/6-6000/500	860	860	860	55	970	940	1020	500	500	430.0	430.0
CVAT/6-10000/630	920	920	920	55	1030	1000	1080	630	630	460.0	460.0
CVAT/6-14000/630	980	980	980	55	1090	1060	1140	630	630	490.0	490.0
CVAT/6-17000/710	1037	1037	1037	55	1147	1117	1197	710	710	518.5	518.5