



EDM-100, 200



EDM-80, 160

In-line fans designed for ventilation in bathrooms, wash-houses, garages, stores, etc. Especially designed for installation in ducts 1-2 m max. connected to the fan.

- Aesthetically attractive
- Low sound level
- Suite ventilation ducts Ø90mm (EDM-80), Ø100mm (EDM-100), Ø120mm (EDM-200) and Ø125mm (EDM-160).
- Can be installed both vertically and horizontally.

Base model (S, SZ)

S - standard model without extra accessories.

Z - model with motor with ball bearing

Fan with timer (T, TZ, R, RZ)

When installed in bathrooms or shower-rooms it is best done to let the fan keep on running after it has been switched off, to ventilate the air from damp, bad smell, etc.

T - none adjustable timer (approx. 2min)

R - adjustable timer (approx 2-20min)

Fan with automatic shutter (C, CZ)

When installed in outer wall it is best done with an automatic shutter to prevent incoming cold air when the fan is switched off.

Fan with adjustable hygostat (H, HZ)

For installation where automatic start of the fan is required when the humidity level in the room is above the setting value.

Wiring diagram, see page 178.

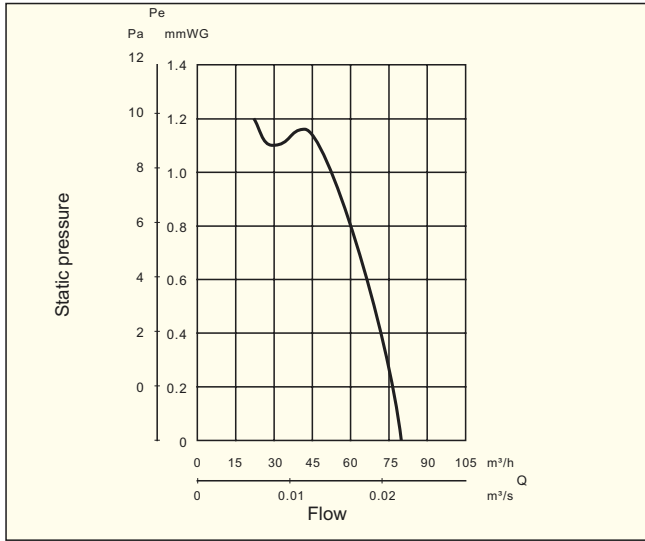
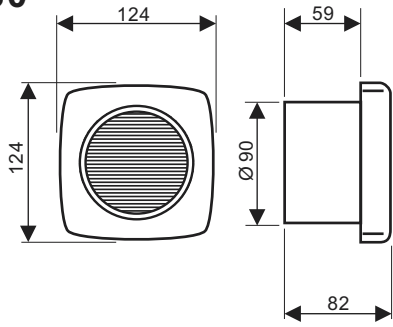
Technical specification

Type	Speed rpm	Motor power W	Voltage V	Maximum current A	Maximum duty m ³ /h	Pressure max Pa	Sound level dB (A)	Weight kg
EDM-80	2500	13	230	0,08	80	18	33	0,4
EDM-100	2450	13	230	0,08	95	33	40	0,5
EDM-160	2500	35	230	0,25	160	51	46	1,0
EDM-200	2500	25	230	0,15	180	50	46	0,9

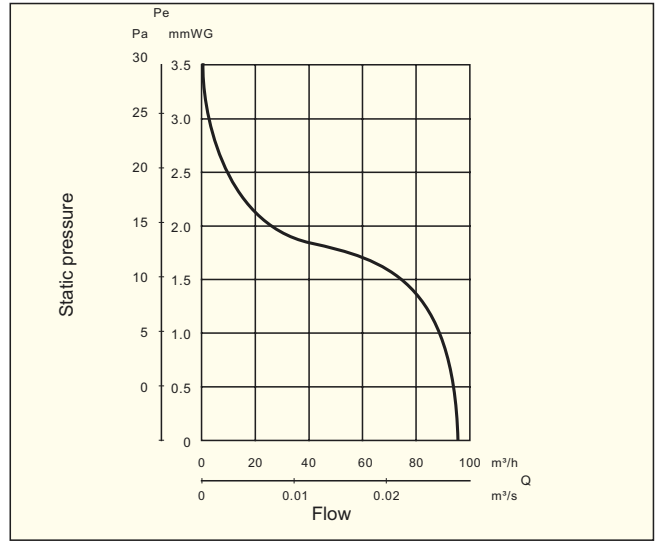
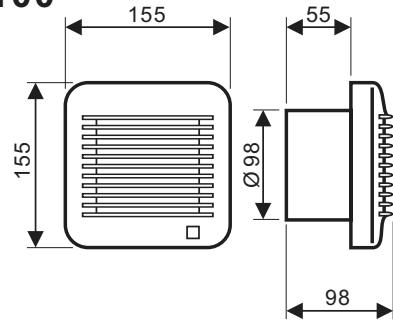
Accessories

Model	EDM-80/160		EDM-100								EDM-200					
		R	S	T	H	C	CT	EC	CH	VM	S	T	H	C	CT	CH
Pilot lamp				•	•	•	•	•	•	•		•	•	•	•	•
Timer				•			•					•			•	
Adjustable timer		•						•								
Automatic shutter						•	•	•	•	•				•	•	•
Photoelectric cell								•								
Adjustable hygostat					•				•				•			•
Pullcord switch					•				•	•			•			•
Adaption for glass										•						

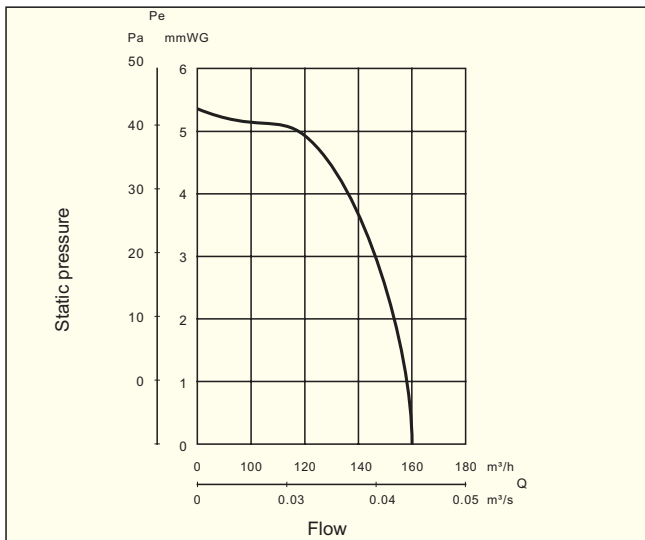
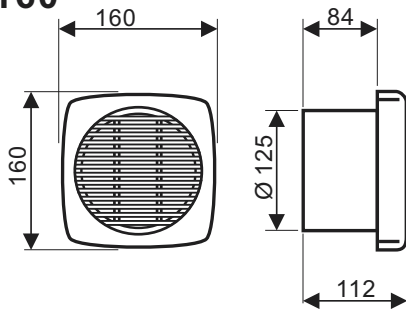
EDM-80



EDM-100



EDM-160



EDM-200

