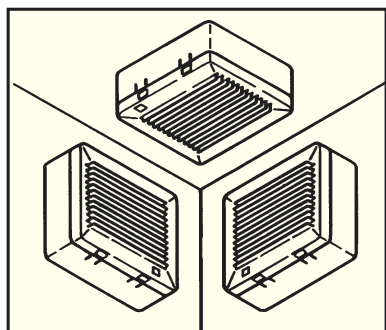




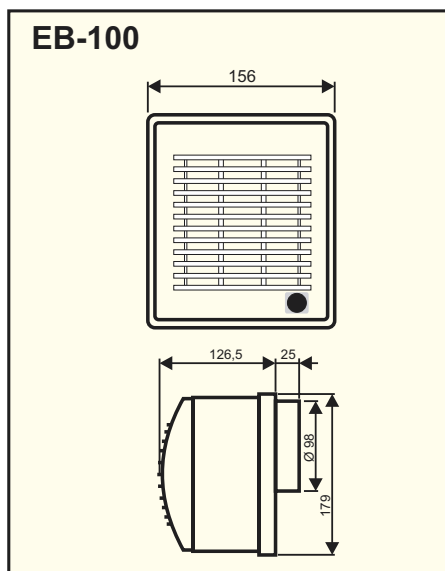
EBB-175, EBB-250



EB-100  
Installation



**Dimensions in mm**



In-line fans with ball bearings, high pressure and large flow capacity, which make them especially suited for multi-store buildings and hard ventilation conditions.

EB-100T, EB-175T and EBB-250T have built-in electronic timer and adjustable hygrosat. The fan keeps on running (adjustable 2-20 minutes) after switching off.

EB-100HT has built-in electronic timer and adjustable hygrosat, to set automatic start when the humidity level.

- Ascetically attractive
- Low sound level
- Suite ventilation ducts Ø100mm
- Built-in an automatic shutter to prevent incoming cold air when the fan is switched off.
- Can be installed both vertically and horizontally

Wiring diagram, see page 178.

**Technical specification**

Type	EB-100	EBB-175	EBB-250
Speed (rpm)	2250	1300	1800
Motor power (W)	30	30	89
Voltage (V)	230	230	230
Maximum current (A)	0,24	0,24	0,75
Maximum flow (m <sup>3</sup> /h)	110	175	250
Pressure max. (Pa)	110	100	350
Sound level (dBA)	46	46	52
Weight (kg)	1,1	2,2	2,2

**Accessories**

Model	100S	100T	175S	175T	250S	250T
Pilot lamp	•	•	•	•	•	•
Timer		•		•		•

**Performance curves**

