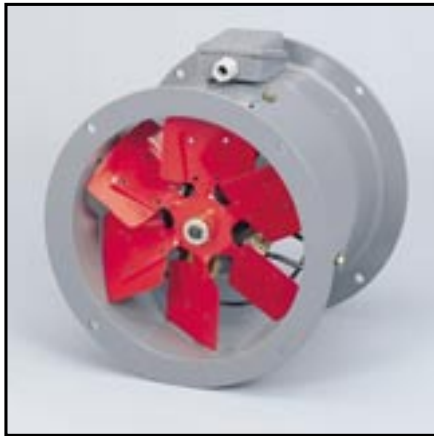


Axial-flow Fan TXT, TXB



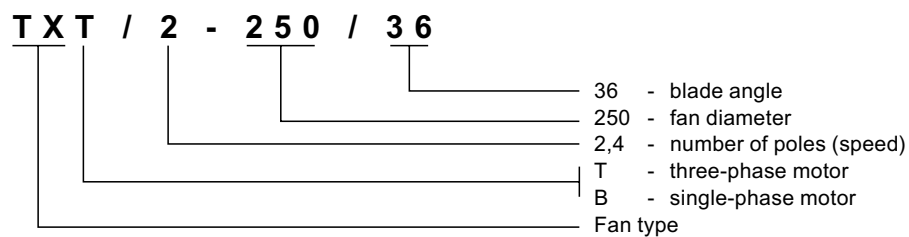
Construction

Axial-flow fan designed for duct mounting. Blades in steel sheet and casing in steel sheet, epoxy painted.

Motor

230/400V, 50Hz three-phase (TXT) or 230V, 50Hz single-phase asynchronous motor (TBT). Enclosure IP54, insulation class B. Wiring diagram, see page 151.

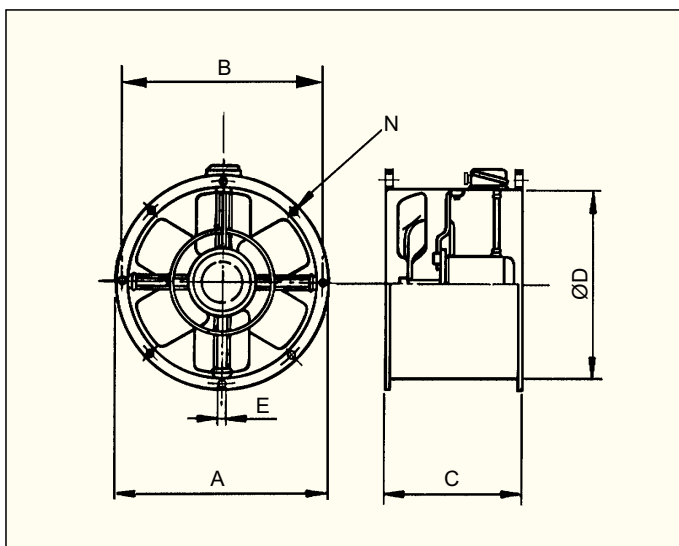
Model numbering system



Technical specification

Type	Speed rpm	Three-phase		Single phase		Diameter mm	Maximum duty m³/h	Sound level dB(A)	Article number
		Motor power W	Maximum current A - 400V	Motor power W	Maximum current A - 230V				
TX□/2-250/36	2600	270	0.42	210	1.00	250	1900	71	112 115 101
TX□/4-250/36	1400	100	0.24	90	0.46	250	1100	56	112 115 111
TX□/2-315/36	2800	750	1.62	640	3.00	315	4100	76	112 115 301

Dimensions in mm



Type	∅ A	∅ B	C	∅ D	∅ E	Number of holes N	Weight kg
TXT-B/250	313	292	240	250	10	4	9,5
TXT-B/315	380	355	280	315	10	8	15,5

