



Construction

Axial-flow fan for wall mounting. Impeller of punched aluminium sheet, wall plate in galvanized steel sheet. Can be mounted in various directions.

Motor

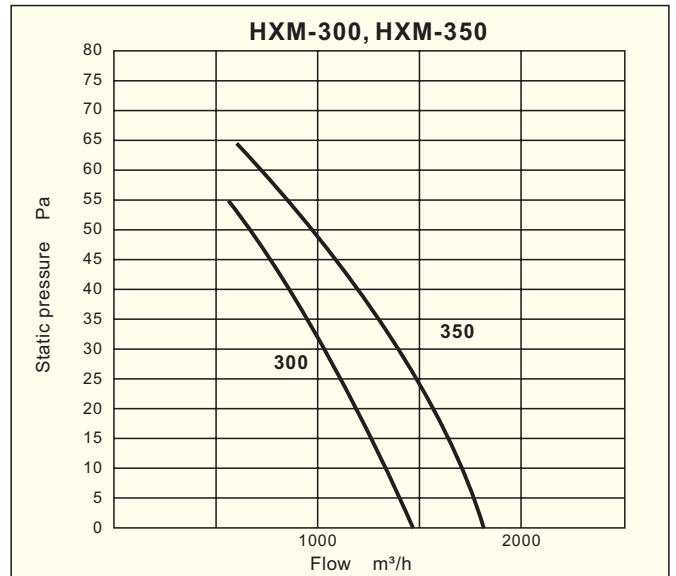
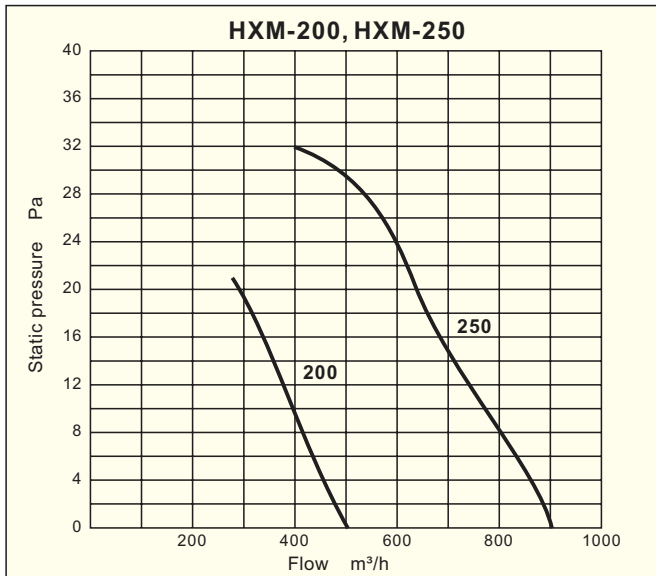
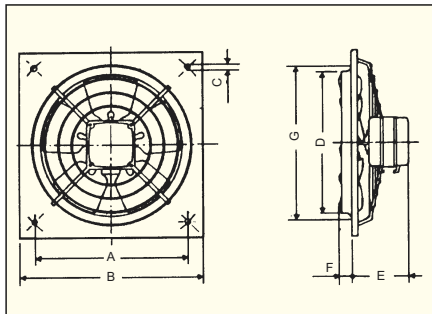
220-240V, 50Hz single-phase shade pole motor with self-lubricating bearing. Enclosure IP40 or IP00 (HXM-400). Insulation class B. Variable speed control with transformer or electronic regulator. Thermal protection may be supplied on request.

Technical specification

Type	Speed rpm	Motor power W	Voltage A	Maximum duty m³/h	Sound level dB (A)	Weight kg	Article number
HXM-200	1 300	32	0.22	500	36	1.7	112 150 101
HXM-250	1 300	46	0.31	900	42	2.5	112 150 201
HXM-300	1 300	55	0.40	1 400	48	3.1	112 150 301
HXM-350	1 300	65	0.50	1 800	53	4.4	112 150 401

Dimensions in mm

Type	A	B	C	D	E	F	G
HXM-200	222.0	266	9.0	205	82,5	19.0	211
HXM-250	275.5	333	9.0	255	92,5	31.0	261
HXM-300	336.5	400	10.5	305	92,5	35.5	311
HXM-350	390.0	465	10.5	361	105,5	34.5	371



Accessories



PER-W
page 58



PER-CN
page 58



REB
page 176