



Construction

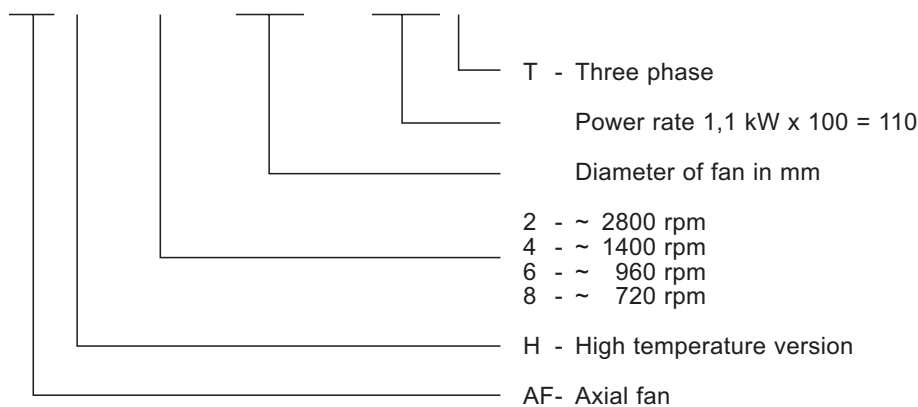
Bifurcated axial fan in tubular version, with motor placed in a chamber, isolated from the air stream. Design allows continuous transportation of gases with max. temp. 150°C. Casing of rolled and electro-welded steel sheet, powder coated. Impeller in die-casted aluminium. Casings in acid-proof steel or galvanized steel and impellers in steel sheet may be supplied on request.

Motor

220-240/380-420V, 50Hz (380-420/660-690V over 3kW) three-phase or 220-240V, 50Hz single-phase asynchronous motor with squirrel cage rotor, in accordance with IEC72 and IEC-34-1. Insulation class F, enclosure IP55. Special voltage or frequency, improved enclosure IP65, explosion proof motor may be supplied on request. Wiring diagram, see page 179.



AFH / 2 - 400 - 110 T

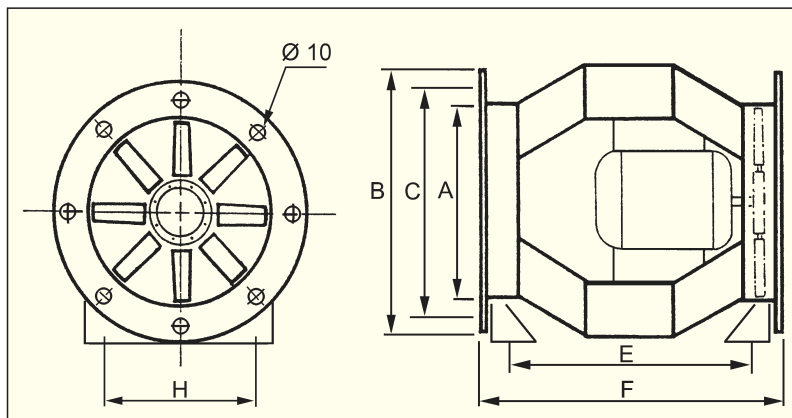


Maximum allowed temperature

+150°C - continuous running

+200°C - temporary running

Dimensions in mm



Type	A	B	C	E	F	H	No. of holes
AFH-400	400	504	460	422	580	200	8
AFH-450	450	554	500	572	640	340	8
AFH-500	500	606	556	662	730	280	8
AFH-630	630	736	686	662	730	340	12
AFH-710	710	830	766	702	770	310	12
AFH-800	800	906	856	702	830	370	12
AFH-1000	1000	1106	1056	1150	1270	550	12

Technical specification

Type	Speed rpm	Motor power kW	Maximum current (400 V) A	Maximum duty m³/h	Sound level * dB (A)	Article number
AFH/2-400-110 S	2800	1,10	2,50	6150	83	113 912 090
AFH/2-400-110 T	2800	1,10	2,50	6150	83	113 912 100
AFH/4-400-037 T	1400	0,37	1,07	3300	74	113 912 110
AFH/2-450-300 T	2800	3,00	6,50	8400	85	113 912 300
AFH/4-500-075 T	1400	0,75	1,81	6300	76	113 912 400
AFH/4-630-110 T	1400	1,10	2,70	10800	78	113 912 500
AFH/4-710-400 T	1400	4,00	8,30	15300	80	113 912 610
AFH/6-710-055 T	920	0,55	1,65	10500	75	113 912 600
AFH/6-800-110 T	920	1,10	2,90	14400	76	113 912 700
AFH/6-1000-110 T	920	1,10	2,90	20080	81	113 912 800

* - distance 3 m

